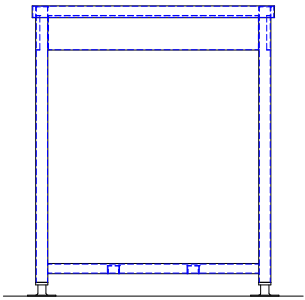
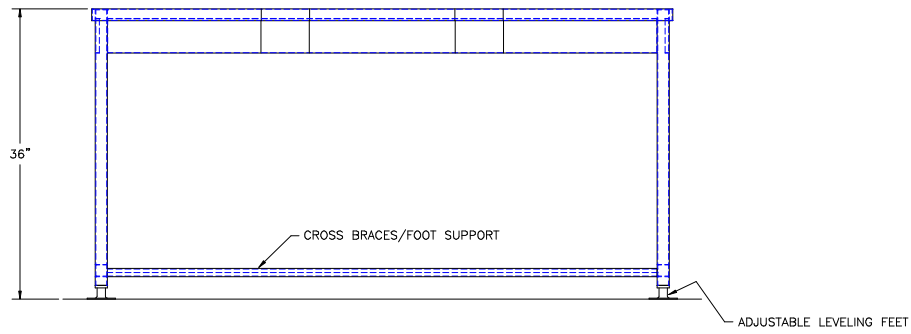


\_\_\_\_ APPROVED \_\_\_\_

PRINT NAME:  
DATE:  
SIGNATURE:



		<b>TBJ INC</b>		1671 ORCHARD DRIVE CHAMBERSBURG, PA 17201	
SCALE NTS		DRAWN BY ALE		DATE 11-9-04	
REF DWG - R04126		30-72 PT PREP / PACK TABLE			
LET	REVISION	BY	DATE	ROUGH-IN ASSEMBLY	R04196