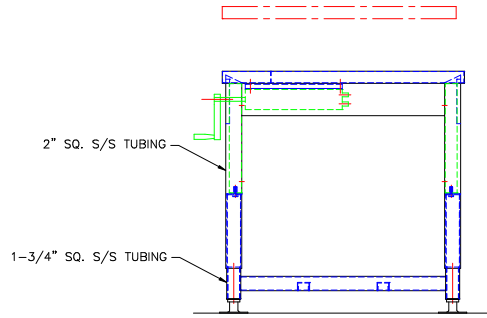
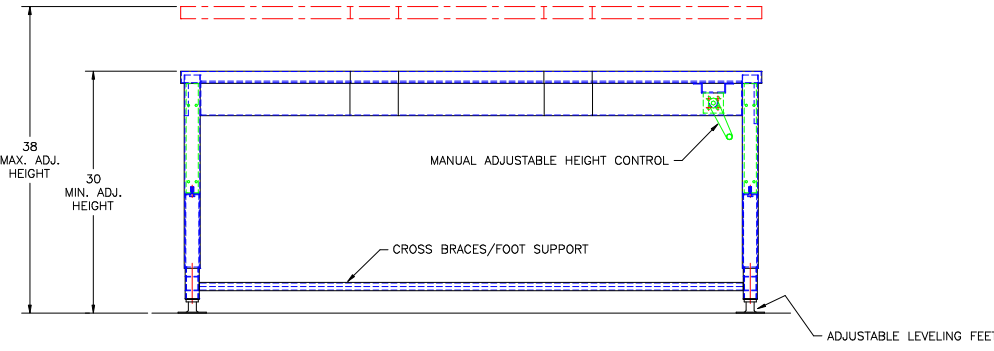


____ APPROVED ____

PRINT NAME: _____

DATE: _____

SIGNATURE: _____



		TBJ INC		1671 ORCHARD DRIVE CHAMBERSBURG, PA 17201	
SCALE NTS		DRAWN BY ALE		DATE 11-9-04	
REF DWG - R04126		30-72 PT-AH PREP / PACK TABLE			
LET	REVISION	BY	DATE	ROUGH-IN ASSEMBLY	R04195